

## Worldwide Locations

### U.S.A

**Sumitomo Machinery Corporation of America (SMA)**  
4200 Holland Blvd. Chesapeake, VA 23323, U.S.A.  
TEL (1)757-485-3355 FAX (1)757-485-7490

### Canada

**SM Cyclo of Canada, Ltd. (SMC)**  
1453 Cornwall Road, Oakville, Canada ON L6J 7T5  
TEL (1)905-469-1050 FAX (1)905-469-1055

### Mexico

**SM Cyclo de Mexico, S.A. de C.V. (SMME)**  
Av. Desarrollo 541, Col. Finsa, Guadalupe, Nuevo León, México, CP67132  
TEL (52)81-8144-5130 FAX (52)81-8144-5130

### Brazil

**Sumitomo Industrias Pesadas do Brasil Ltda. (SHIB)**  
Rodovia do Acucar (SP-075) Km 26  
Itu, Sao Paulo, Brasil  
TEL (55)11-4886-1000 FAX (55)11-4886-1000

### Chile

**SM-Cyclo de Chile Ltda. (SMCH)**  
Camino Lo Echevers 550, Bodegas 5 y 6, Quilicura, Región Metropolitana, Chile  
TEL (56)2-892-7000 FAX (56)2-892-7001

### Argentina

**SM-Cyclo de Argentina S.A. (SMAR)**  
Ing. Delpini, 2236 Area de Promocion el Triangulo, Partido Malvinas Argentinas Grand Bourg, Buenos Aires, Argentina B1615KGB  
TEL (54)3327-45-4095 FAX (54)3327-45-4099

### Guatemala

**SM Cyclo de Guatemala Ensambladora, Ltda. (SMGT)**  
Parque Industrial Unisur, 0 Calle B 19-50 Zona 3, Bodega D-1 Delta Bárcenas en Villa Nueva, Guatemala  
TEL (502)6648-0500 FAX (502)6631-9171

### Colombia

**SM Cyclo Colombia, S.A.S. (SMCO)**  
Parque Industrial Celta, Km 7.0 Autopista Medellín, Costado Occidental, Funza, Cundinamarca, Colombia  
TEL (57)1-826-9766

### Peru

**SM Cyclo de Perú, S.A.C (SMPE)**  
Jr. Monte Rosa 255, Oficina 702, Lima, Santiago de Surco, Perú  
TEL (51)1-713-0342 FAX (51)1-715-0223

### Germany

**Sumitomo (SHI) Cyclo Drive Germany GmbH (SCG)**  
Cyclostraße 92, 85229 Markt Indersdorf, Germany  
TEL (49)8136-66-0 FAX (49)8136-5771

### Austria

**Sumitomo (SHI) Cyclo Drive Germany GmbH (SCG) SCG Branch Austria Office**  
Gruentalerstraße 30A, 4020 Linz, Austria  
TEL (43)732-330958 FAX (43)732-331978

### Belgium

**Hansen Industrial Transmissions NV (HIT)**  
Leonardo da Vincilaan 1, Edegem, Belgium  
TEL (32)34-50-12-11 FAX (32)34-50-12-20

### France

**SM-Cyclo France SAS (SMFR)**  
8 Avenue Christian Doppler, 77700 Serris, France  
TEL (33)164171717 FAX (33)164171718

### Italy

**SM-Cyclo Italy Srl (SMIT)**  
Via dell' Artigianato 23, 20010 Cornaredo (MI), Italy  
TEL (39)293-481101 FAX (39)293-481103

### Spain

**Sociedad Industrial de Transmisiones S.A. (SIT)**  
Ubarburu Pasealekua, 67, San Sebastián, Guipúzcoa, Spain  
TEL (34)943-457-200 FAX (34)902-431-278

### United Kingdom

**SM-Cyclo UK Ltd. (SMUK)**  
Unit 29, Bergen Way, Sutton Fields Industrial Estate, Kingston upon Hull, HU7 0YQ, East Yorkshire, United Kingdom  
TEL (44)1482-790340 FAX (44)1482-790321

### Turkey

**SM Cyclo Turkey Güç Aktarım Sis. Tic. Ltd. Sti. (SMTR)**  
Barbaros Mh. Çiğdem Sk. Ağaoğlu, Office Mrk. No:1 Kat:4 D.18 Ataşehir, Istanbul, Turkey  
TEL (90)216-250-6069 FAX (90)216-250-5556

### India

**Sumi-Cyclo Drive India Private Limited (SDI)**  
Gat No. 186, Raison Industrial Park, Alandi Markal Road, Fulgaon-Pune, Maharashtra, India  
TEL (91)96-0774-5353

### China

**Sumitomo (SHI) Cyclo Drive China, Ltd. (SCT)**  
11F, SMEG Plaza, No. 1386 Hongqiao Road, Changning District, Shanghai, China (P.C. 200336)  
TEL (86)21-3462-7877 FAX (86)21-3462-7922

### Hong Kong

**SM-Cyclo of Hong Kong Co., Ltd. (SMHK)**  
Rm 1301, CEO Tower, 77 Wing Hong Street, Cheung Sha Wan, Kowloon, Hong Kong  
TEL (852)2460-1881 FAX (852)2460-1882

### Korea

**Sumitomo (SHI) Cyclo Drive Korea, Ltd. (SCK)**  
Royal Bldg. 19 Rm. 913, 5 Saemunan-ro 5-Gil Jongro-Gu Seoul, Korea 03173  
TEL (82)2-730-0151 FAX (82)2-730-0156

### Taiwan

**Tatung SM-Cyclo Co., Ltd. (TSC)**  
22 Chungshan N. Road 3rd., Sec. Taipei, Taiwan 104, R.O.C.  
TEL (886)2-2595-7275 FAX (886)2-2595-5594

### Singapore

**Sumitomo (SHI) Cyclo Drive Asia Pacific Pte. Ltd. (SCA)**  
15 Kwong Min Road, Singapore 628718  
TEL (65)6591-7800 FAX (65)6863-4238

### Philippines

**Sumitomo (SHI) Cyclo Drive Asia Pacific Pte. Ltd. Philippines Branch Office (SMPH)**  
C4 & C5 Buildings Granville Industrial Complex, Carmona, Cavite 4116, Philippines  
TEL (63)2-584-4921 FAX (63)2-584-4922

### Vietnam

**SM-Cyclo (Vietnam) Co., Ltd. (SMVN)**  
Factory 2B, Lot K1-2-5, Road No. 2-3-5A, Le Minh Xuan Industrial Park, Binh Chanh Dist., HCMC, Vietnam  
TEL (84)8-3766-3709 FAX (84)8-3766-3710

### Malaysia

**SM-Cyclo (Malaysia) Sdn. Bhd. (SMMA)**  
No.7C, Jalan Anggerik Mokara 31/56, Kota Kemuning, Seksyen 31, 40460 Shah Alam, Selangor Darul Ehsan, Malaysia  
TEL (60)3-5121-0455 FAX (60)3-5121-0578

### Indonesia

**PT. SM-Cyclo Indonesia (SMID)**  
Jalan Sungkai Blok F 25 No. 09 K, Delta Silicon III, Lippo Cikarang, Bekasi 17530, Indonesia  
TEL (62)21-2961-2100 FAX (62)21-2961-2211

### Thailand

**SM-Cyclo (Thailand) Co., Ltd. (SMTH)**  
195 Empire Tower, Unit 2103-4, 21st Floor, South Sathorn Road, Yannawa, Sathorn, Bangkok 10120, Thailand  
TEL (66)2670-0998 FAX (66)2670-0999

### Australia

**Sumitomo (SHI) Hansen Australia Pty. Ltd. (SHAU)**  
181 Power St, Glendenning, NSW 2761, Australia  
TEL (61)2-9208-3000 FAX (61)2-9208-3050

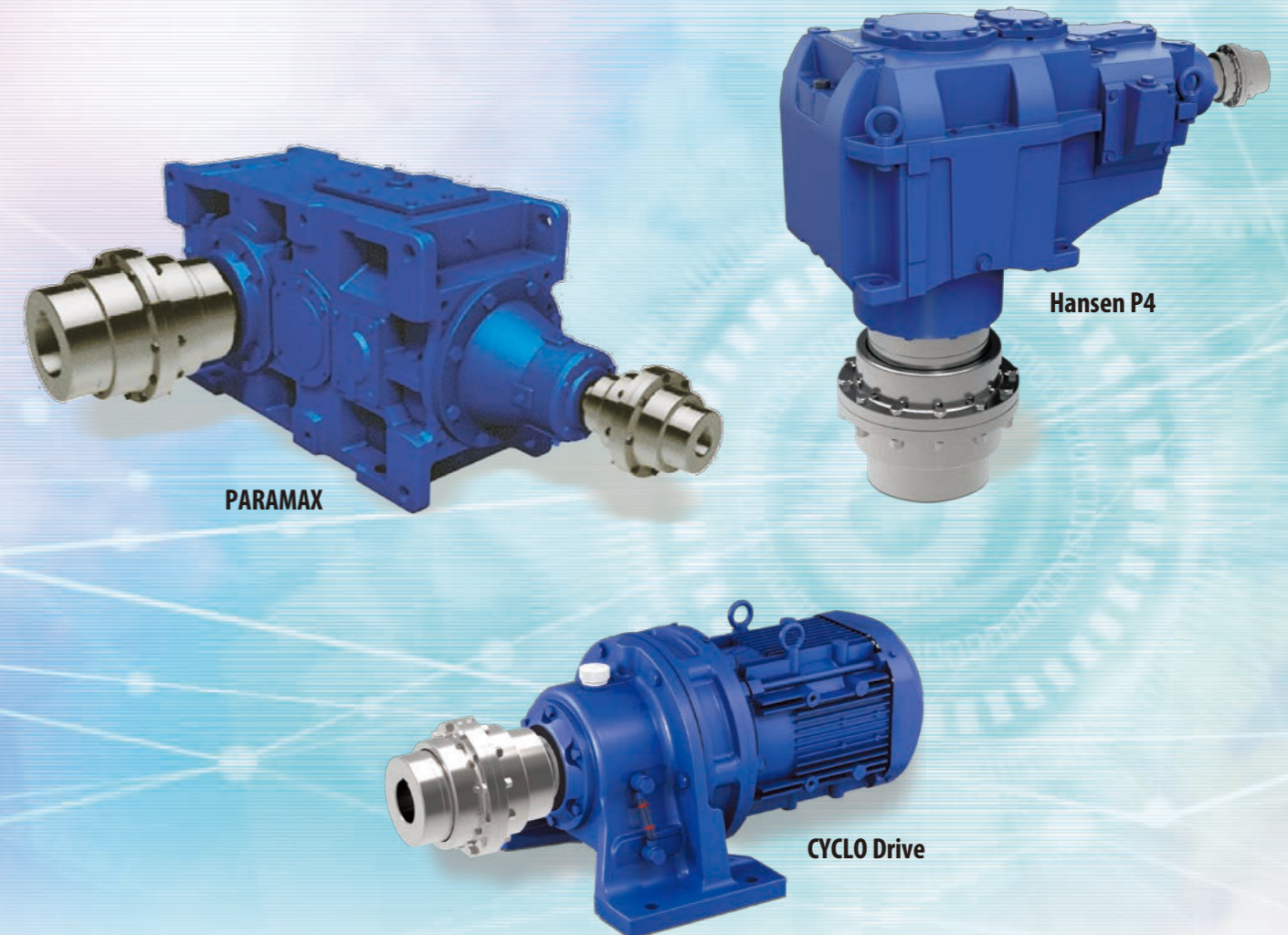
### Japan

**Sumitomo Heavy Industries, Ltd. (SHI)**  
ThinkPark Tower, 1-1 Osaki 2-chome, Shinagawa-ku, Tokyo 141-6025, Japan  
TEL (81)3-6737-2511 FAX (81)3-6866-5160

# SEISA GC Coupling

together with

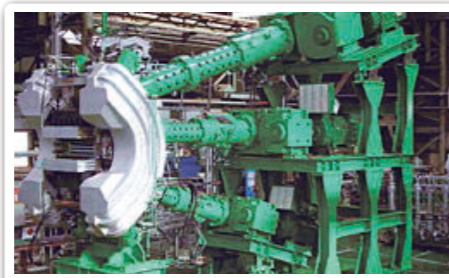
# Sumitomo Gearboxes and Gearmotors



Specifications, dimensions, and other items are subject to change without prior notice.



• Wood / Paper / Pulp



• Plastic / Rubber



• Cement



• Steel Industry



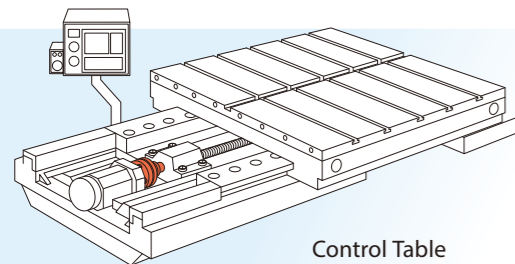
• Water and Sewage Treatment



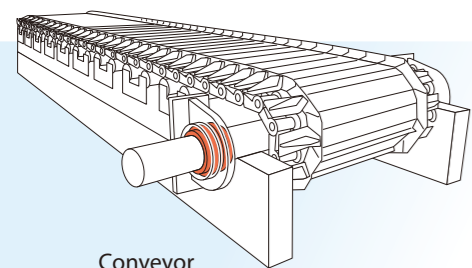
• Waste Disposal

Proven Reliability In Various Area of Industries

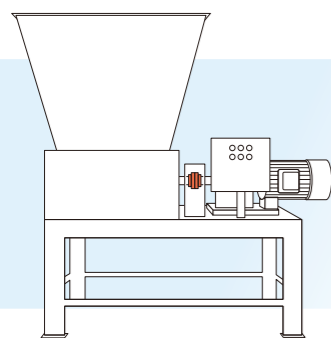
# SEISA GC Coupling



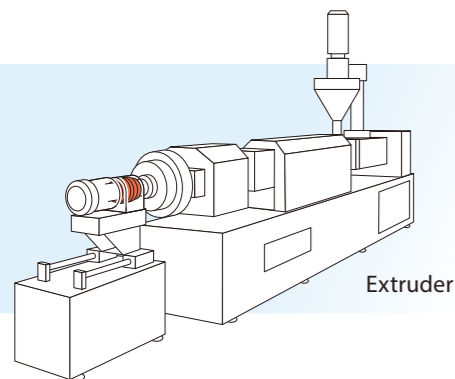
Control Table



Conveyor

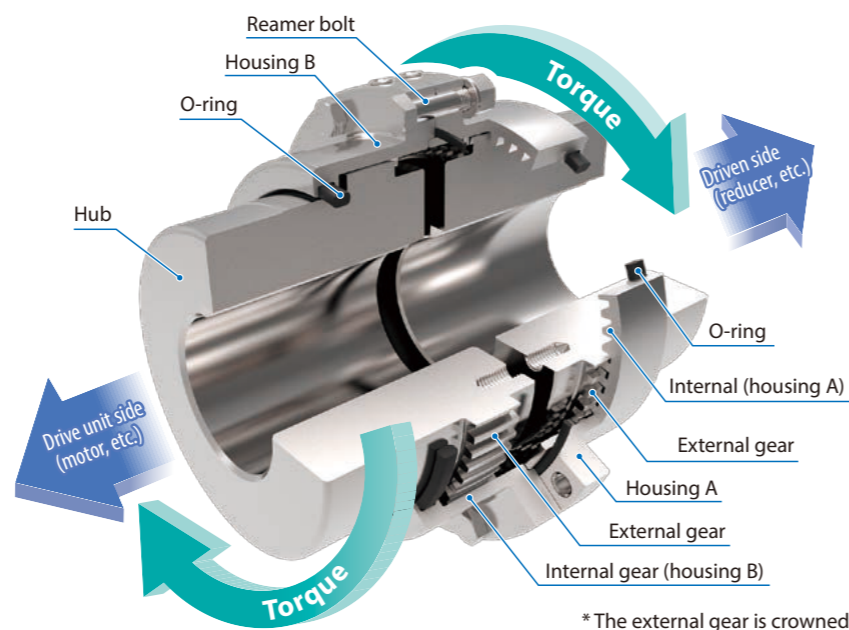


Crusher

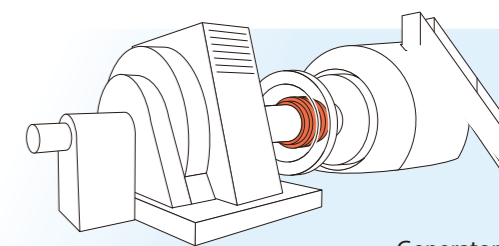


Extruder

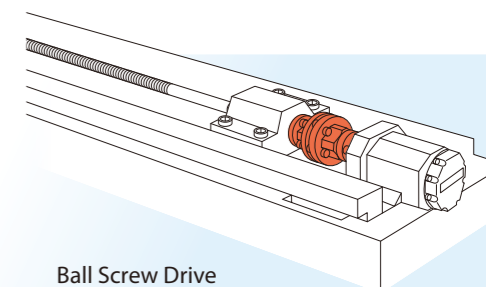
## Structure and torque transmission path



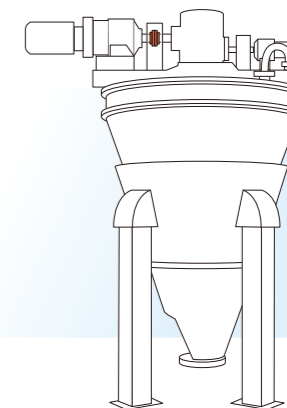
|  |               |
|--|---------------|
| Type   | Gear coupling |
| Reference transmission torque N-m                        | 421-6,460,000 |
| Allowable rotational speed (Based on a standard product) | 4,000 or less |



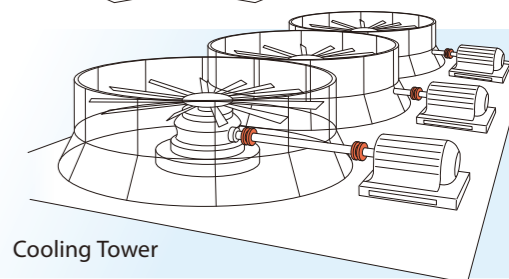
Generator



Ball Screw Drive

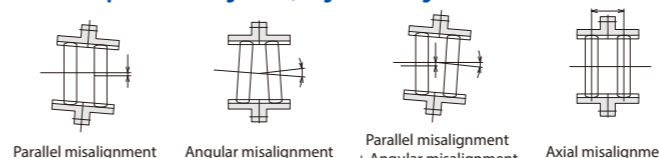


Mixer

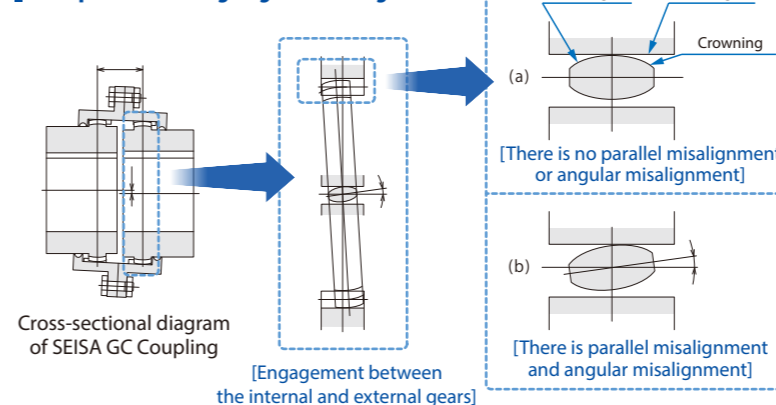


Cooling Tower

## Condition of the SEISA GC Coupling in the case where there is parallel misalignment, angular misalignment or an error between 2 axes.



## Setup for correcting angular misalignment



- 01 Corrects\* the parallel misalignment and angular misalignment between 2 axes, enabling the torque on the drive side to be transmitted smoothly.
- 02 Automatically performs correction\* during operation, even when 2 coupled axes are misaligned, so that the valuable device can be protected.
- 03 Because the misalignment between the axes is automatically corrected by a crowned gear, the coupling is highly wear-resistant and also robust.

## SEISA GC Coupling

5 features

- 04 Because the center and housing are separate from each other, the coupling can be easily removed and re-installed, and in addition it is compact and light.
- 05 There is no misalignment in the angle of rotation between the 2 axes due to the sagging of the coupling, thus ensuring reliable torque transmission.

\* Limited to the case where the parallel misalignment, angular misalignment and error are within the allowable range.



• Power Plant



• Crane



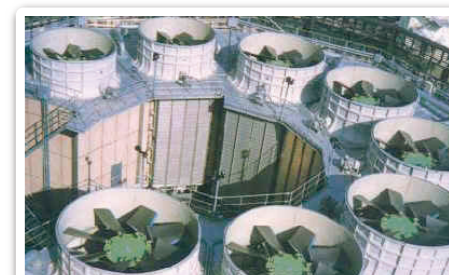
• Agitator / Mixer / Kneader



• Press and Forging Press Machine



• Pump / Compressor



• Cooling Tower / Air Fin Cooler