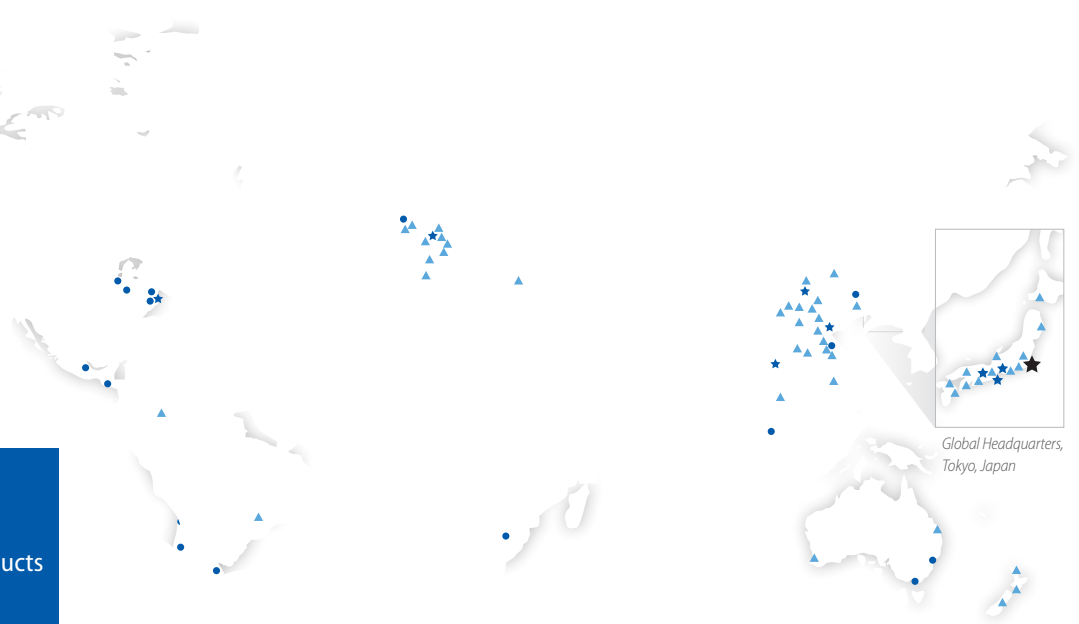




Sumitomo Drive Technologies

Sumitomo, Hansen and Seisa. Three brands, one global power transmission solutions provider. Sumitomo Drive Technologies has facilities strategically located throughout the world, providing comprehensive products and services in your region.

- ★ MANUFACTURING HUB
- ASSEMBLY & SERVICE
- ▲ REGIONAL SALES OFFICE



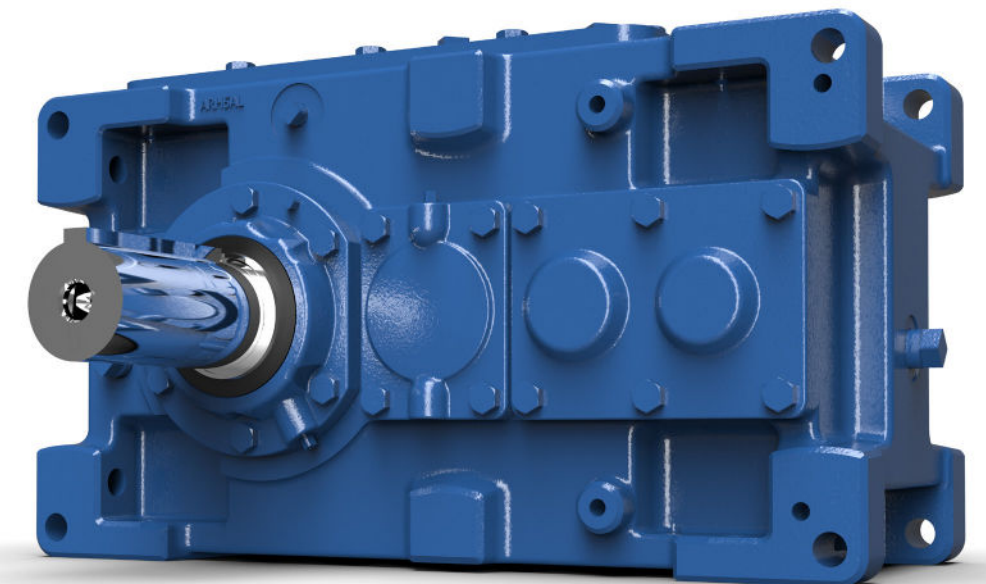
Configurator
Configure our products to *your* needs.

Sumitomo Machinery Corp.

[www.Sumitomo](http://www.Sumitomo.com)

For worldwide locations, please visit www.sumitomodrive.com/worldwide.
Contact your local representative at www.sumitomodrive.com/representative
T 1-800-SM-CYCLO (762-9256) 07.001.51.007 Paramax Brochure 2019

PX PARAMAX® 9000



- Immersion Heater
- Creep Drive
- Anti-Dust Breather



ACCESSORIES

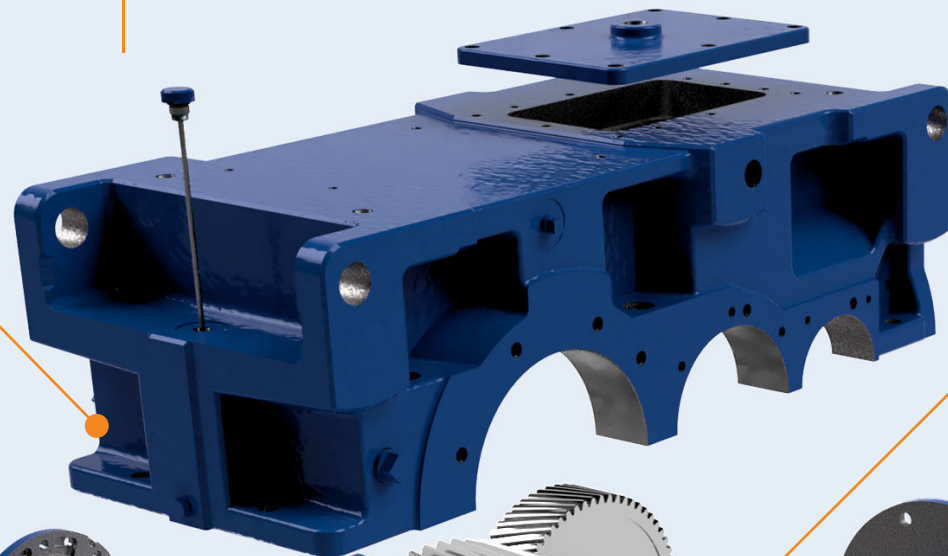
- Solid Shaft
- Shrink Disc
- Keyed Hollow Bore



OUTPUTS

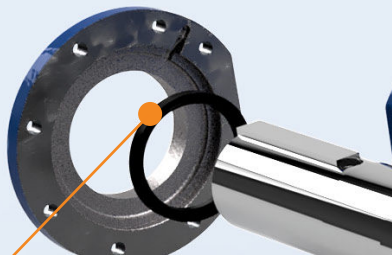
AVAILABLE SPLIT HOUSING

Offered in large frame sizes allowing easy maintenance. Large inspection port provides a window for gear inspection. Standard gray cast iron with ductile and fabricated steel options

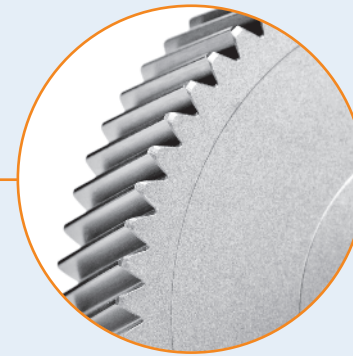
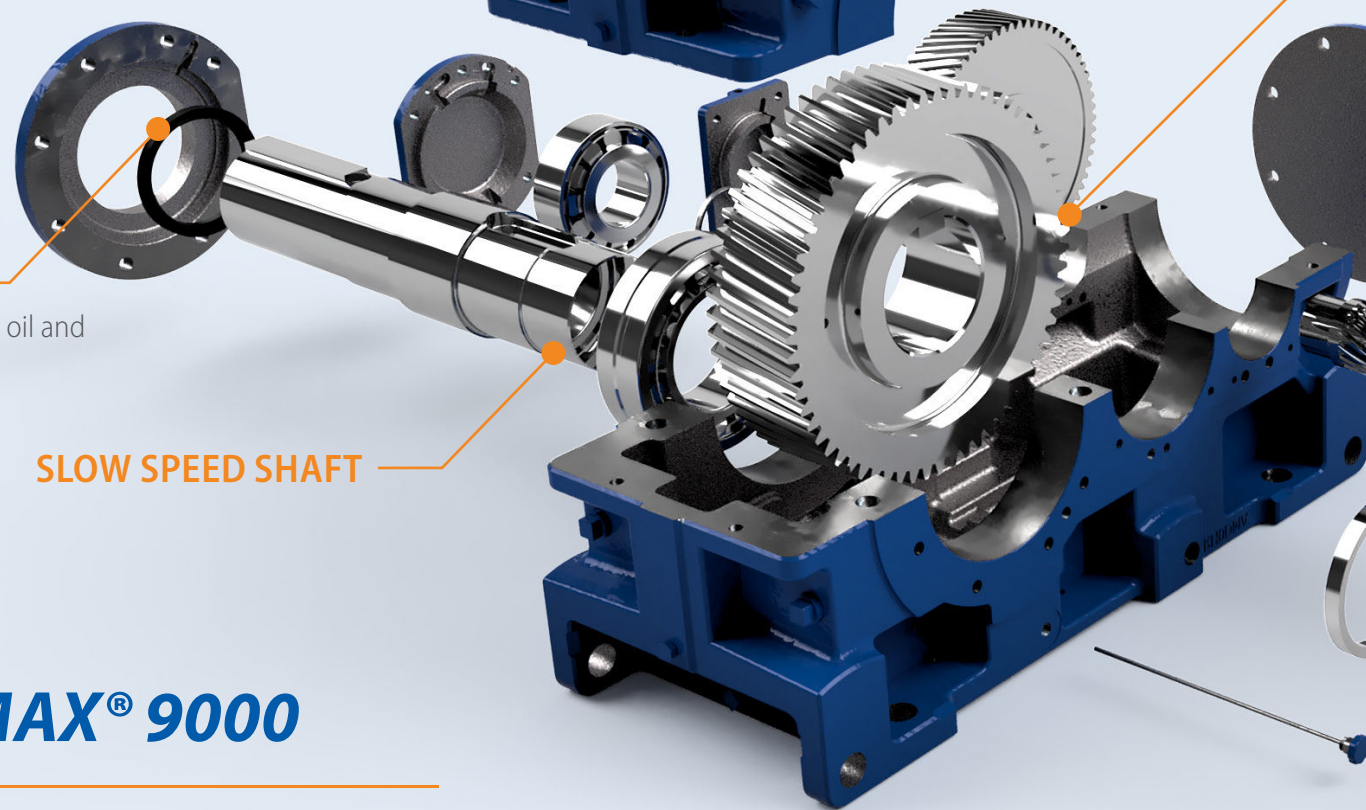


TACONITE SEAL

Option features a dual layer oil and grease sealing system



SLOW SPEED SHAFT



CASE CARBURIZED GEARING

High precision case carburized gearing with a 25° pressure angle offer a thicker dedendum and higher strength ratings than the typical 20° pressure angle.

HIGH TENSILE SHAFT

Strong shaft material optimized for extended operation in rugged environments

SPHERICAL ROLLER BEARING

High capacity bearings increase load capacity without increasing lead-time



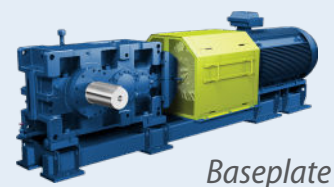
PX PARAMAX® 9000

PARALLEL & RIGHT ANGLE LARGE INDUSTRIAL GEARBOXES

Paramax® parallel and right angle drives are some of the largest and most durable power transmission systems operating in the world. The series features double, triple, quadruple reduction gearboxes, global standardization and availability, and support from our worldwide locations.

Other accessories: Cooling Fan with Split Fan Hood, Resistance Temperature Detector, Coupling Guards & more.

MOUNTING



SPECS



HP RATING
Up to 5,230 HP
(3,900 kW)



DIAMETER
5mm to 360mm
(Hollow & Solid)



TORQUE
Up to 4.9 million lb•in
(553,626 N•m)



RATIO RANGE
6.3:1 to 500:1
Standard